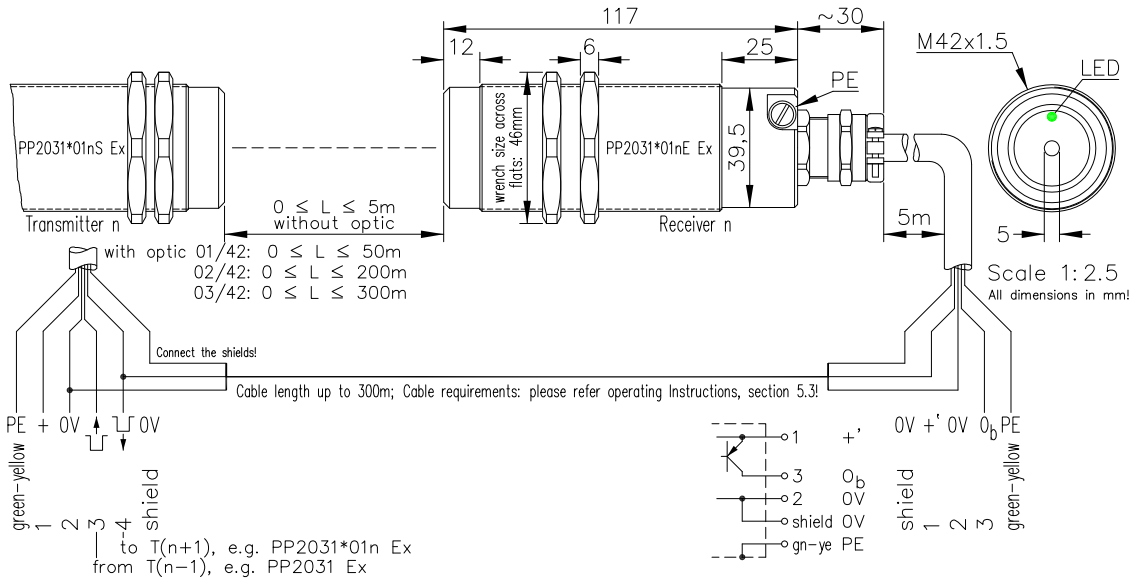


Cascadable Transmitter-Receiver Light Barrier Type PP2031*01n Ex



Ex



0-5m
(0-50m)
(0-200m)
(0-300m)

Cascadable
Transmitter-
Receiver
Light Barrier

PP2031*01n Ex

Order No.:

4139M01

Technical Characteristics:

Housing	VA
Housing dimension	M42x1.5 x ~147mm
Weight	2x approx. 1450g (incl. 5m cable)
Protection mode	IP66
Ex marking	Gas: Ex II 2G Ex d IIC T6 Gb Dust: Ex II 2D Ex tb IIIC T80°C Db IP66
Certificate No.	ATEX: BVS 08 ATEX E 122 X IECEX: IECEX BVS 12.0029X
Connection Transmitter:	5m No.-cable, 5x0.75mm ² , shielded
Receiver:	5m No.-cable, 4x0.75mm ² , shielded
Supply	24VDC/40mA/<1W without load
Operation mode	Cascadable, n up to 8 LB
Output	pnp 60mA s.c.-prot., e2
Signal mode	brightswitching
Transmitter light	GaAs 850...880nm, invisible
Steady light resistance	>80kLx
Light beam diameter	approx. 1700mm/5m Optic 01/42: approx. 4500mm/50m Optic 02/42: approx. 8000mm/200m Optic 03/42: approx. 9000mm/300m
Interference suppress.	Forced synchronization
Access time	<12ms/Switch transition
Switching rate	~40/s
Switch indicator	LED green (receiver)
Working indicator	LED red (transmitter)
Ambient temperature	-20°C ≤ Ta ≤ +60°C

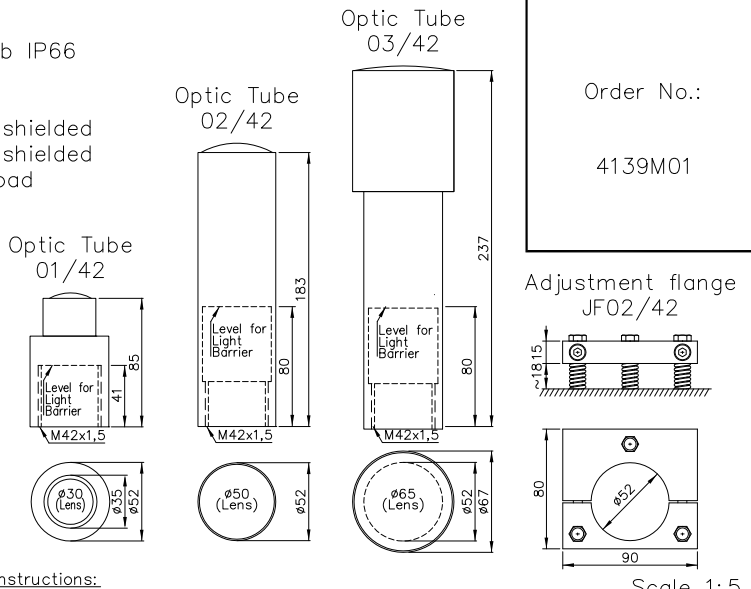
Accessories:

- Transmitter-Receiver Light Barrier, Type PP2031Ex, #4138
- Diaphragms, Optical filter, Anti dust tube
Optic 01/42, #8253; 02/42, #8254;
03/42, #8255
- Adjustment flange JF02/42, #8654
- Adjustment help JH1, #7111
- Control unit in case of using 8 pairs of light barrier: PP80308FE, #2474

Special design:

- Output npn 60mA s.c.-prot., e3
- Signal mode darkswitching ,d

The design and make of the devices and their electronics are intellectual property of the company "Fotoelektrik Pauly GmbH". Internal circuit diagrams can, for copyright reasons, not be given therefore. Subject to technical alterations. Errors excepted. The reprinting of this data sheet or the copying of extracts from it are allowed only with the approval of the "Fotoelektrik Pauly GmbH" and with an indication of the sources used. Infringements are punishable by law.



Adjusting instructions:

When using optical attachments 01/42 ... 03/42, the respective optical attachment is mounted on the place meant for it. A tension-clamping device, which has three spring-supported screws connected to the actual mounting plate, is suited for this purpose; all these adjustment-springs can be pre-stressed upto 16mm. The transmitter- as well as receiver-units are screwed into the optical instrument. Please fix a lamp in front of the optical unit of the transmitter, switch it on, and illuminate the optical unit of the receiver with it. Now, the Adjustment-Help "JH1" will cause an image on the photo-converter and light beam projection, after tuning in to the light-beam using the semi-transparent mirror of the Adjustment-Assistant. Tilt and rotate the device in such a manner that the light focus will illuminate the photo-converter at the center. (If you have mounted the device using an adjustment-flange, then this activity is reduced to a couple of operating handles. Other than this, the device does not require any further arresting). Now bring the lamp in front of the optical unit of the receiver and illuminate the optical unit of the transmitter, and repeat the earlier procedure with the required adjustment. If you have not installed an adjustment flange, then fix the device in this position permanently. If the distance between the transmitter and the receiver is too large, and if it is impossible to follow the light beam given out by your lamp because of the daylight, then carry out the adjustment procedure in a dark room/environment. * In the absence of an optical attachment, what needs to be done is a slight focussing of the transmitter and the receiver on either side.* The Master-/ Slave-operation for example is possible by using the transmitter-receiver light barrier PP2031 Ex as master.

4139 DE M01 (20.10.05 tb)
 E1_4139_1_1 (28.04.06 tb)
 (14.07.03 gs) (05.05.06 tb)
 (04.11.04 tb) (10.05.06 tb)
 (14.06.06 tb) (23.06.06 tb)
 (21.11.08 tb) (17.02.12 tb)
 (24.04.12 tb) (16.04.14 tb)
 (07.05.12 tb) (24.08.17 tb)