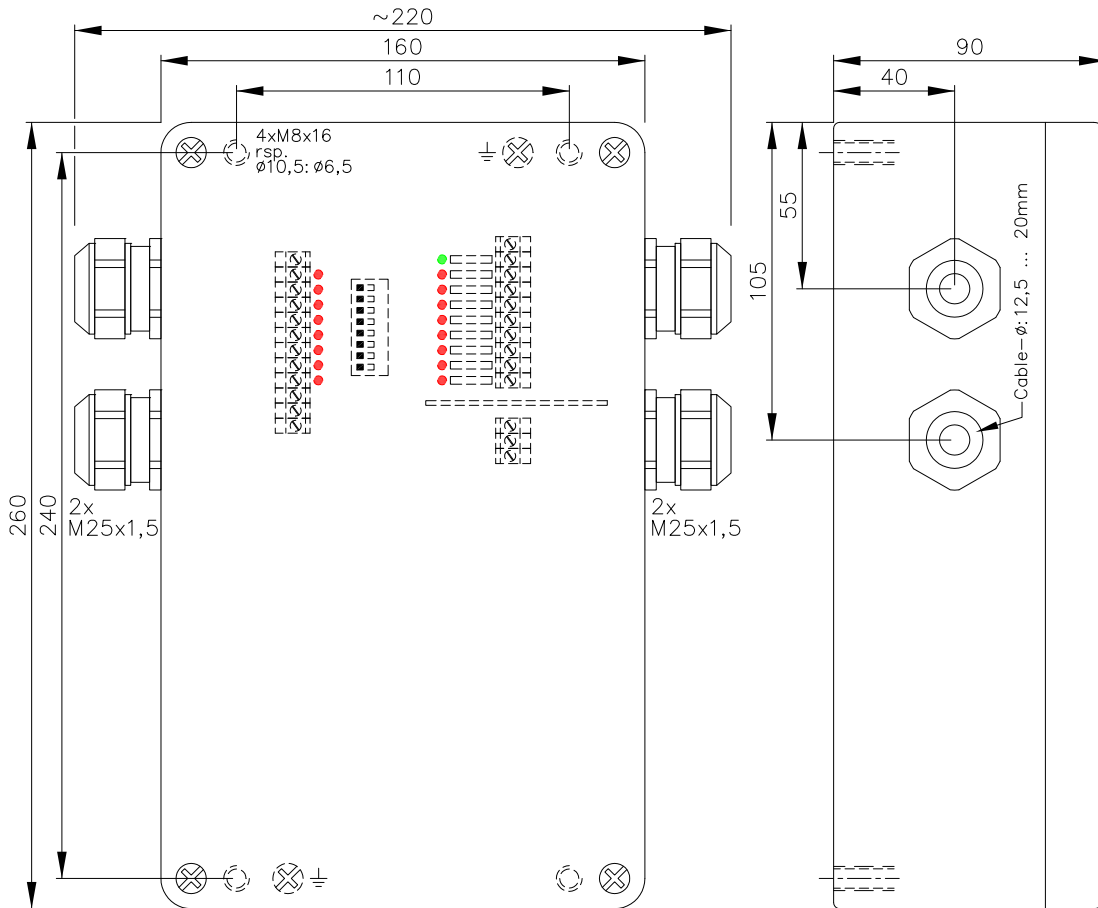


## Control Device Type PP80308FE



Scale 1:2.5  $\square$   $\odot$   
All dimensions in mm!

### Technical Characteristics:

Housing	Al-cast
Weight	approx. 3200g
Protection mode	IP65
Connection	Terminal blocks
Supply	230VAC/30VA, $\pm 10\%$
Signal mode	bright-/darkswitching, selectable
Outputs	pnp 60mA short-circuit prot., e2
Switch indicator	8x LED red, 1x LED green
Ambient temperature	-25...+60°C

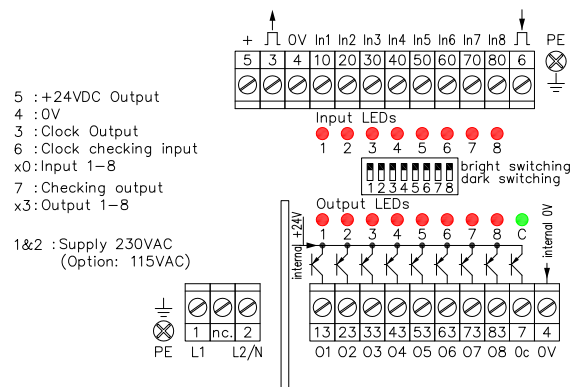
### Special design:

Supply	115VAC/30VA, $\pm 10\%$
--------	-------------------------

### Hints:

When using the units in mode "bright switching" the output is active if there is a high-level at the signal input.

### Terminal connection:



2474 DE (23.05.06 tb) (24.01.14 tb)  
E\_ 2474 1 (19.06.06 tb) 25.08.17 tb  
(26.10.05 tb) (04.06.08 tb)  
(26.03.06 tb) (21.01.10 tb)