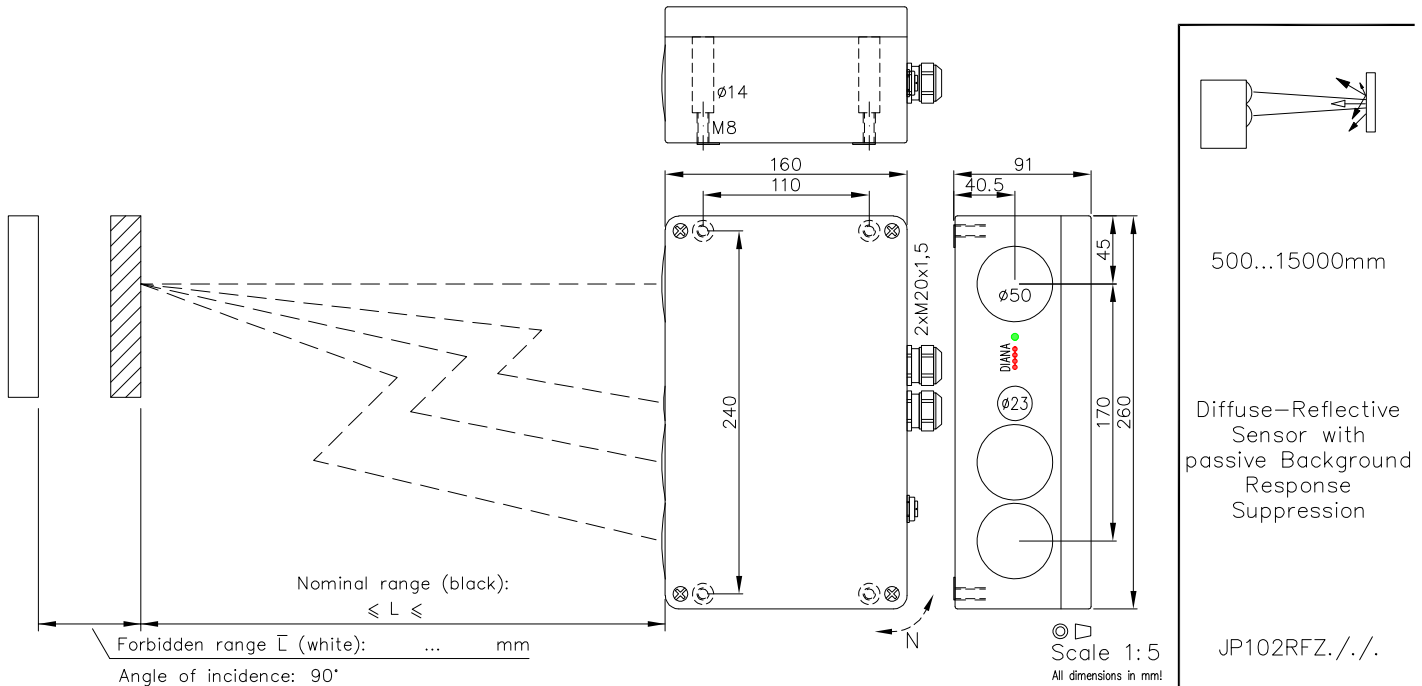


Diffuse-Reflective Sensor with passive Background Response Suppression

Type JP102RFZ / /



Note:

Reflective surfaces can considerably impair the detecting quality. However, reflective surfaces can still be recognised beyond the forbidden distance \bar{L} ; slightly tilting the sensor helps. Tilting should only be done in the direction of the "N" arrow.
In the case of cylindrical detecting objects the sensor beams should be directed onto the surface line as far as possible.

Technical Characteristics:

Housing	Al-cast
Weight	approx. 3000g
Protection mode	IP65
Connection	terminal strip
Supply	230VAC/6VA
Output	Relay 250VAC/8A, 1500VA, 1xCh, R
Signal mode	Optocoupler, 60V/60mA, e1 bright-/darkswitching, selectable
Transmitter light	850...880nm, invisible
Steady light resist.	>80kLx
Interference suppress.	Force synchronization
Access time	<12ms/switch transition
Switching rate	10/s
Switch indicator	LED green
Level indicator	4x LED red (DIANA, i)
Ambient temperatur	-25...+60°C
Heating element, hz	

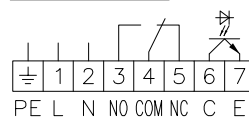
Accessories:

Elbow tube adjustment AD57SS2

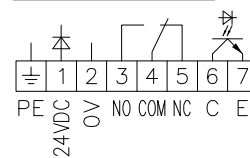
Options:

Connection 6+1 pin Plug stBi7
Supply 115VAC, 42...48VAC, 24VDC

Connecting diagram:
Version "AC":



Version "24VDC":



1470 DE (14.05.14 tb)
E_ 1470 1 (03.05.17 tb)
(08.06.10 tb) 30.04.21 TBR
(08.05.14 tb)