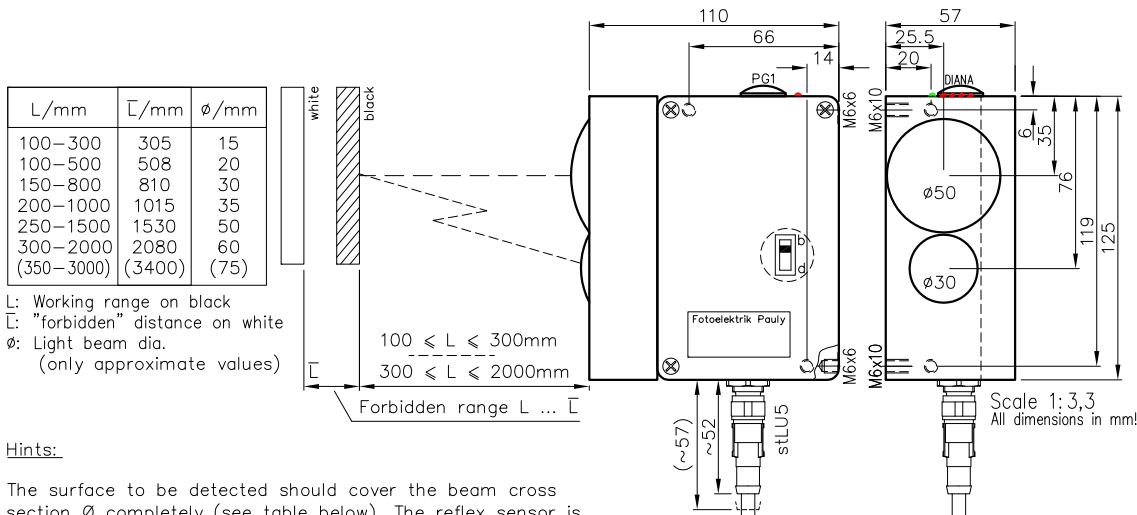
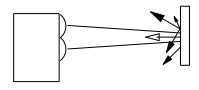


Adjustable Diffuse-Reflective Sensor with active Background Response Suppression,

Type ET103/2000

100 ... 2000mm adjustable

Adjustable Diffuse-Reflective Sensor with active Background Response Suppression

ET103/2000

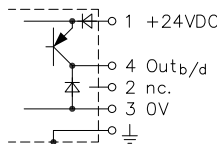
Order no.:
1202

Hints:

The surface to be detected should cover the beam cross section ∅ completely (see table below). The reflex sensor is adjusted by activating the screw located behind the PG1 cover. In a clockwise direction L becomes larger. The optimum setting is found by bringing a diffuse Reflective surface (paper) into the light path. Approximately in the center between the maximum desired detection distance L and the "forbidden" distance □ and then adjusting the reflex sensor so that it turns off just at this precise point. The "forbidden" distance □ are in general < L+5%. Diffuse Reflective surfaces are themselves reliably recognizable under beam incidence angles which sharply deviate from 90°. On reflective surfaces the detection quality can be considerably impaired. However, reflective surfaces can still be recognized beyond the forbidden distance □; slightly tilting the detection helps. The ON (Ti) and OFF delay (Ta) is available on request. The delay time is increasable by adjusting the potentiometer in a clockwise direction. The potentiometer is located inside the housing. The adjustable time interval lies between 0 and approximately 3 seconds. Other time intervals are available on request: 1 second, 10 second and 20 second.

DIANA (Digital ANALoge Anzeige -digital analog indicator) indicates approximately 20-fold levels above the response threshold. It is not necessary that all DIANA LEDs light up in order for a proper function of the reflex sensor! Beyond the switching range (green off), the DIANA may show the level under the switching threshold.

Connecting diagram:



Features:

- Connection: 3+1 pin plug stH4
- Output: 3+1 wire no.-cable K4
- Access time: npn 60mA s.c.-prot., e3
- Switching rate: Optocoupler 60V/50mA, e1
- Time delay: 2xe2 or 2xe3 or antival. e4 or e5
- Heat protected transducer system, pl
- If using cooling water flange, then milled wall, y

Accessories:

- Diaphragms
- Optical filters
- Furnace window 02004/100
- Cooling water flange KW26
- Heavy adjustment flange R26SH
- Elbow tube adjustment AD26SS1 or AD26SS2

1202 DE (29.11.04 mij) (14.05.14 tb)
 E_1202_1 (08.04.97 tb) (06.02.17 tb)
 (15.05.02 gs) (26.01.09 tb) 08.12.17 tb

Technical characteristics:

Housing	Al-Cast
Weight	approx. 1000g
Protection mode	IP65
Connection	4+1 pin Plug stLU5
Supply	24VDC/40mA without load
Output	pnp 60mA s.c.-prot., e2
Signal mode	bright-/darkswitching, selectable
Transmitter light	850...880nm, invisible
Steady light Resist.	>80kLx
Interference Suppress.	Force synchronization
Access time	<12ms/switch transition
Switching rate	40/s
Switch indicator	LED green
Level indicator	4x LED red (DIANA, i)
Ambient temperatur	-30...+65°C